

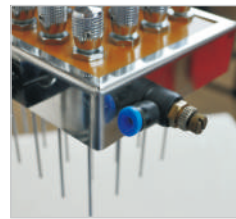
GAS BLOWING CONCENTRATOR (NB-503GB)

GAS blowing system allows the experimenters to get the required materials from the mixed samples having different boiling points.

Efficient evaporation is done by simultaneous or separate delivery of non-reactive pressurized gas to samples. Nitrogen gas provides better concentration without oxidation.



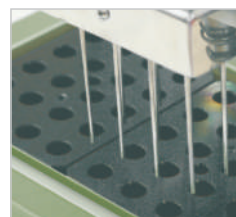
STAND
Individual nozzle is adjustable by stop-screw and pinion motion stand.



GAS INLET
Hole to input GAS to Manifold

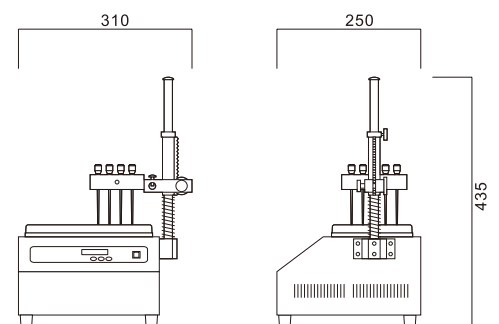


MANIFOLD & KNOB
To adjust the amount of GAS



MANIFOLD GAS OUTLET
Nozzle to discharge the exhausted gas

Accessories



Features

- **Adjustable blowing GAS**
Each nozzle can be adjusted to blow the adequate amount of Nitrogen to sample simultaneously or separately.
- **Precision temperature stability**
Temperature is controlled precisely by Microprocessor PID control
- **Wide range of modular blocks**
Various Modular blocks for 1.5ml micro-tube and 13mm in diameter tube.



Tube size	Holes	Diameter of hole
1.5ml micro-tube	20	11mm
10ml tube	20	13mm
15ml tube	20	16.5mm

Specification



Items	Unit	NB-503GB
Temperature		
range	°C	Ambient +5°C to 120°C
control		Microprocessor digital PID
increment	°C	0.1°C
Temperature method		Heater
Operating panel		Touch button
Display		LED Display
Manifold size		130(W)x110(D)x30(H)mm
Nozzle		Each nozzle control (20ea) flow rate
Stand		Pinion motion stand
Block		
dimensions	mm	110(W)x90(D)x45(H)mmx2
capacity		2 Blocks(BLx2ea)
Connecting port		Flow control valve
Overall dimensions		310(W)x250(D)x435(H)mm
Power	V/Hz	110/220V, 50/60Hz, 125W
Weight	kg	6kg
Exhaust system		Contamination free (Each nozzle)